

SMM-7W



SHARP MEETING ROOM MANAGER

Sharp Meeting Room Manager (SMM) offers a special business line that perfectly meets the requirements of meeting room and other signage. Due to the proven plug & play system, the SMM can easily be mounted on walls or any other kind of surface.

The light infrastructure that works with no cables perfectly fits everywhere – even on glass walls. The connection to MS-Exchange, the ability to display text, logos and even images makes it a highly requested solution for companies to show real-time meeting room usage.

Ideal for

- ▶ Conference rooms
- ▶ Offices
- ▶ Public buildings
- ▶ Hospitals
- ▶ Schools, universities



7.4" Wireless E-ink Display



Low Power Consumption



Great Visibility with paper-like readability



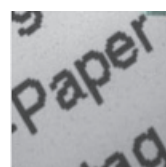
Digital Paper



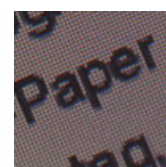
Easy Setup (No cables required for Installation)

Readability

SMM are easily readable even in direct sunlight because the electronic paper component reflects light like ordinary ink on paper. **SMM** Wireless Display provides the best digital experience for the viewer because of the stable image, wide viewing angle and reflective properties rather than emitting its own light.

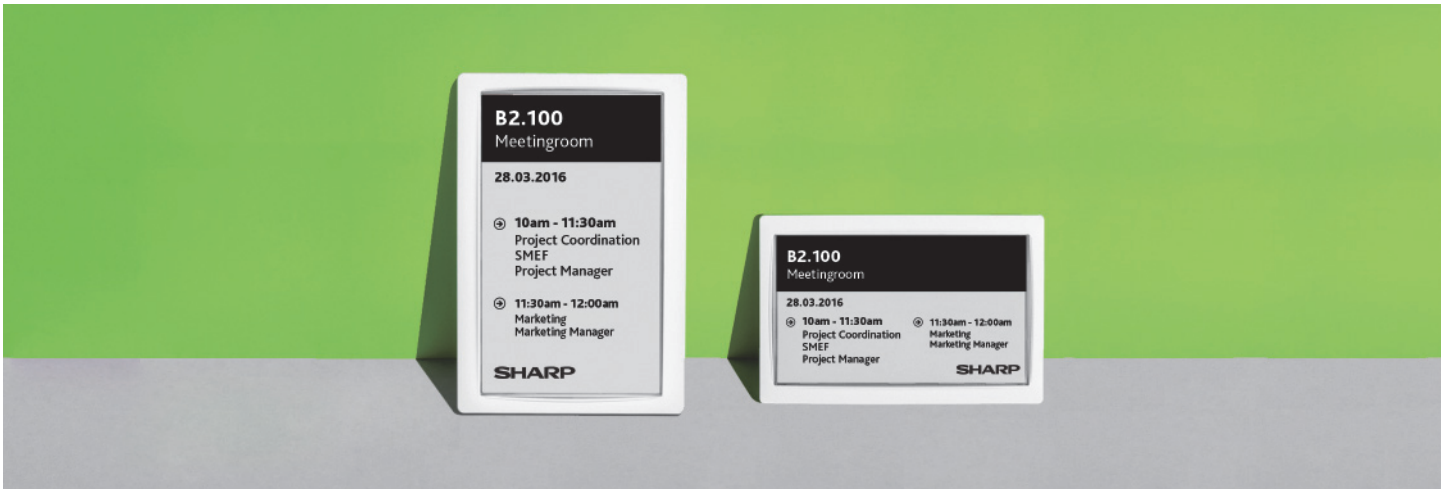


SMM



Normal LCD Display

SMM works with E-Ink technology relies on reflected, not emitted light. This ensures text looks natural in any lighting condition.



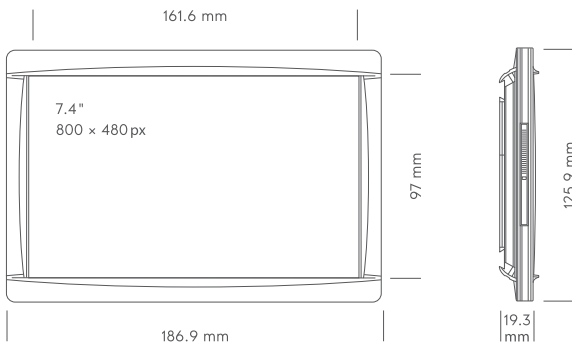
Low Power Consumption

Sharp Meeting Room Manager is bistable, which means it needs no power to hold an image or page of text. ePaper is a low power technology because the image does not consume energy once set no matter how long it is displayed.

Key Features

- 7.4" black/white, optional: black/white/red, optional NFC
- 162 × 97 mm active display area
- Full graphical E-ink display with paper-like readability
- Ultra-low power consumption - 5 years battery life
- Super-wide viewing angle (near 180°)
- Swappable/customizable front cover
- Flexible mounting options available
- May be used in landscape or portrait mode
- Pixel colors: black and white

Dimension



Digital Paper

SMM-7W acts just like 7.4 inches Wireless Digital paper outside meeting room area, with perfectly clear images, but comes with all the features of a digital display; with centralized management and monitoring you'll save time and lower the costs of changing and displaying content.

Specifications - SMM-7W

Dimensions (mm)	: 186.9 x 125.9 x 19.3
Weight	: 239 g
Standard cover frame	: White
Display technology	: Full graphic E-ink display
Active display area (mm)	: 161.6 x 96.96
Resolution (pixels)	: 800 x 480
Pixel density	: 126 dpi
Pixel Colors	: Black/white
Viewing angle Nearly	: 180°
Usable pages	: 12
Label updates/hour/AP	: 1000 (500 in FCC/IC mode)
Operating temperature	: 0° C to 45° C
Battery lifetime (room temperature)	: 5 years (8 updates/day)
Replaceable battery	: Lithium manganese dioxide button cell battery pack: 3x CR2477 (3 V, 3000 mAh), replaceable by customer (available as a spare part)
Encryption	: 128-bit AES with secure key exchange
Water resistance	: Yes
Compliance	: CE, ROHS, FCC, IC
NFC	: No
ESL operating frequency	: 2.400-2.480 GHz, maximum EIRP ≤ 10 mW
Wireless firmware update:	Yes